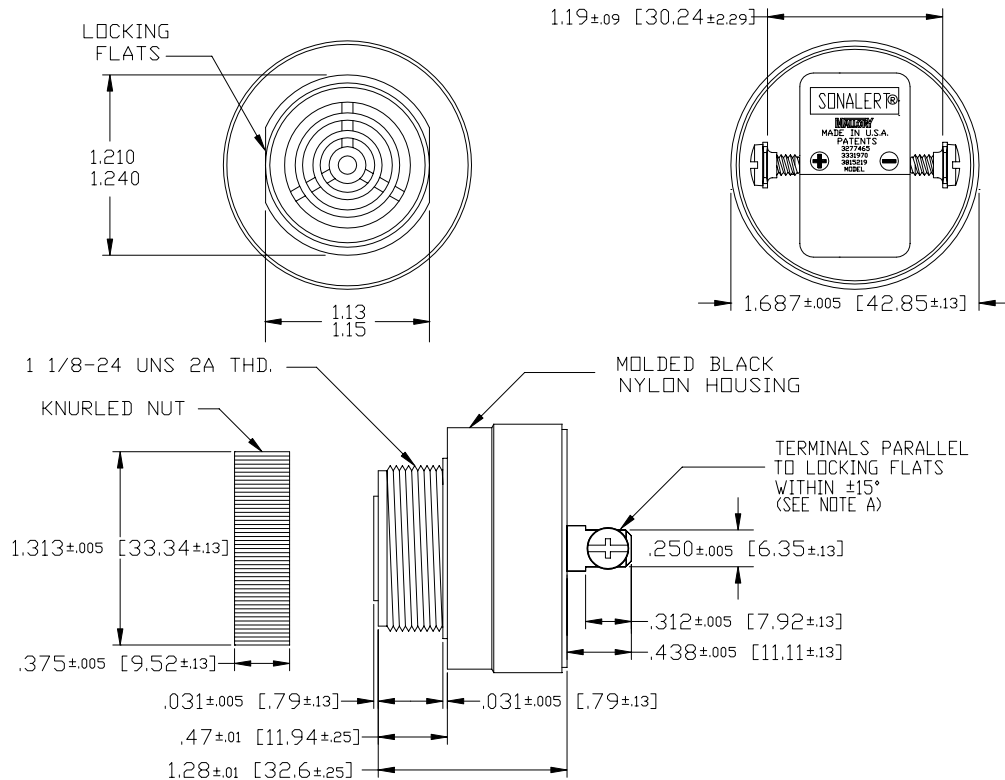


Specifications:

Sound level Category	Medium Sound Level
Mode of Operation	Chirp
Mounting	Panel (see note B)
Voltage Rating	30 to 120 Vac
Frequency	2900 Hz \pm 500 Hz
Loudness (Min. Voltage)	70 dB(A) min. @ 2 FT and 30 Vac
Loudness (Max Voltage)	80 dB(A) min. @ 2FT and 120 Vac
Min. Pulse Rate (PPS)	10 @ 30 Vac
Max. Pulse Rate (PPS)	35 @ 120 Vac
Current Draw	6 mA Max @ 30 Vac
Current Draw	22 mA Max @ 120 Vac
Storage Temperature	-40°C to +85°C
Operating Temperature	-30°C to +65°C
Weight (Typical)	1.5 oz (42 g)
Housing	6/6 Nylon, Color Black
Options	For other options contact factory

Dimensions: Inches (mm)

UL Recognized 



NOTE A: TERMINALS-.032 BRASS TIN PLATED, TAPPED FOR #6-32 SCREW. TWO #6-32 NICKEL PLATED BRASS SCREWS INCLUDED. WILL ACCEPT 1/4" QUICK CONNECT.

NOTE B: MOUNTING- REMOVE BLACK PLASTIC NUT AND INSERT THREADED FRONT THROUGH 1.25" HOLE PUNCHED IN PANEL, IF ORIENTATION IS NEEDED, NOTE LOCKING FLATS ON DRAWING. SCREW NUT BACK ON. DO NOT OVERTIGHTEN.